



GT22

**LEO GT22 SEMI AUTOMATIC,  
SINGLE ACTION BLANK FIRING  
STARTER PISTOL**

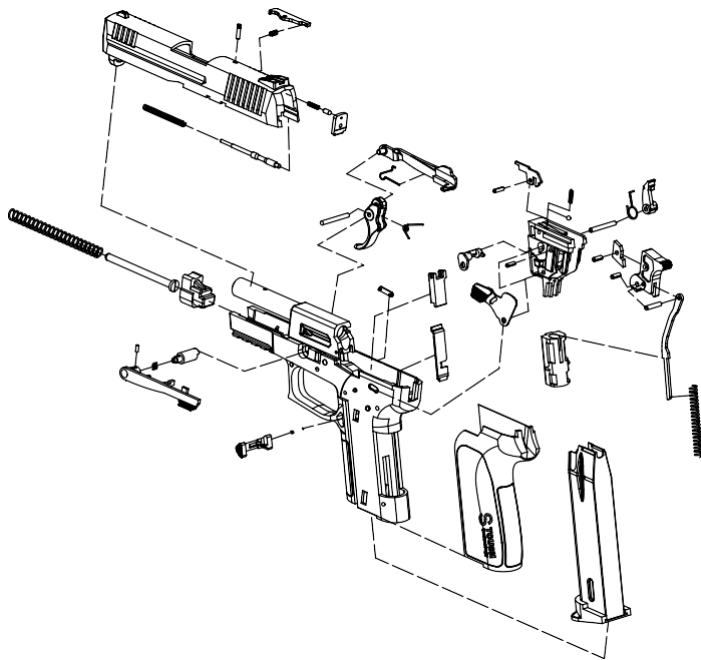
**USER MANUAL**

**LEO**  
by carrera arms



**High Technology on Polymer Pistols...**

## LEO GT22 SEMI AUTOMATIC, SINGLE ACTION BLANK FIRING STARTER PISTOL



### SPECIFICATIONS

;	: 9 mm P.A.K
Calibre	: 188 mm
Length	: 149 mm
Heigh	: 923 gr
Weight	: 14+1
Capacity	

# LEO GT22 SEMI AUTOMATIC, SINGLE ACTION BLANK FIRING STARTER PISTOL

## OPERATING INSTRUCTIONS

### To load:

- 1 Press the ejection button to remove the magazine.
- 2 Check the chamber loading indicator to make sure the pistol not loaded.
- 3 Fill the magazine and insert in the frame. Check it is correctly engaged.

### To cock:

Pull the slide backwards and release it. This operation will introduce a cartridge in the barrel chamber.

### To Fire:

- 1 Pull the trigger to fire. The discharge will recoil the slide bolt which will automatically eject the fired case and then return to closed position introducing at the same time a new cartridge into the chamber. After the last shot, the slide bolt will remain open.
- 2 To fire again refill the empty magazine, lower the stop lever and the slide bolt will return to closed position introducing at the same time a new cartridge in the chamber.

### To unload:

- 1 Put on the safety.
- 2 Remove the magazine from the frame.
- 3 Slide back the slide bolt to extract the cartridge from the chamber.
- 4 Once the cartridge is ejected, release the slide bolt.

### To disassemble:

- 1 Remove the magazine from the frame.

- 2 Pull the slide backwards until locked in rear position. The recoil spring guide overhangs the front of the frame below the barrel.
- 3 Turn the slide springs button and take out.
- 4 Move the slide forwards pulling down the slide catch.
- 5 Turn down the take down latch 90° downwards and then, remove it from the frame.
- 6 Remove the pin ejector.
- 7 Pull the slide at the maximum rear position and lift up to free it from the frame.
- 8 Remove the recoil spring and it's holder.

### To assemble:

Proceed in the opposite way as for disassembling.

## CAUTION

- 1 Keep the pistol away from the reach of children.
- 2 Always make sure that the pistol is not loaded before handling it.
- 3 When firing keep the pistol at safety distance and never point it to other people. For good conservation avoid dry-firing the pistol repeatedly when unloaded.
- 4 For proper maintenance and conservation of the pistol we strongly recommend to keep it clean and lubricated after use. It is also advisable to lubricate it when using it after an extended period of inactivity.
- 5 All our models are fitted with safeguards against any transformation.

**CAUTION:** You should not modify this pistol.

- 6 The Company declines any and all responsibilities for improper use of this blank pistol.



[www.carreraarms.com](http://www.carreraarms.com)